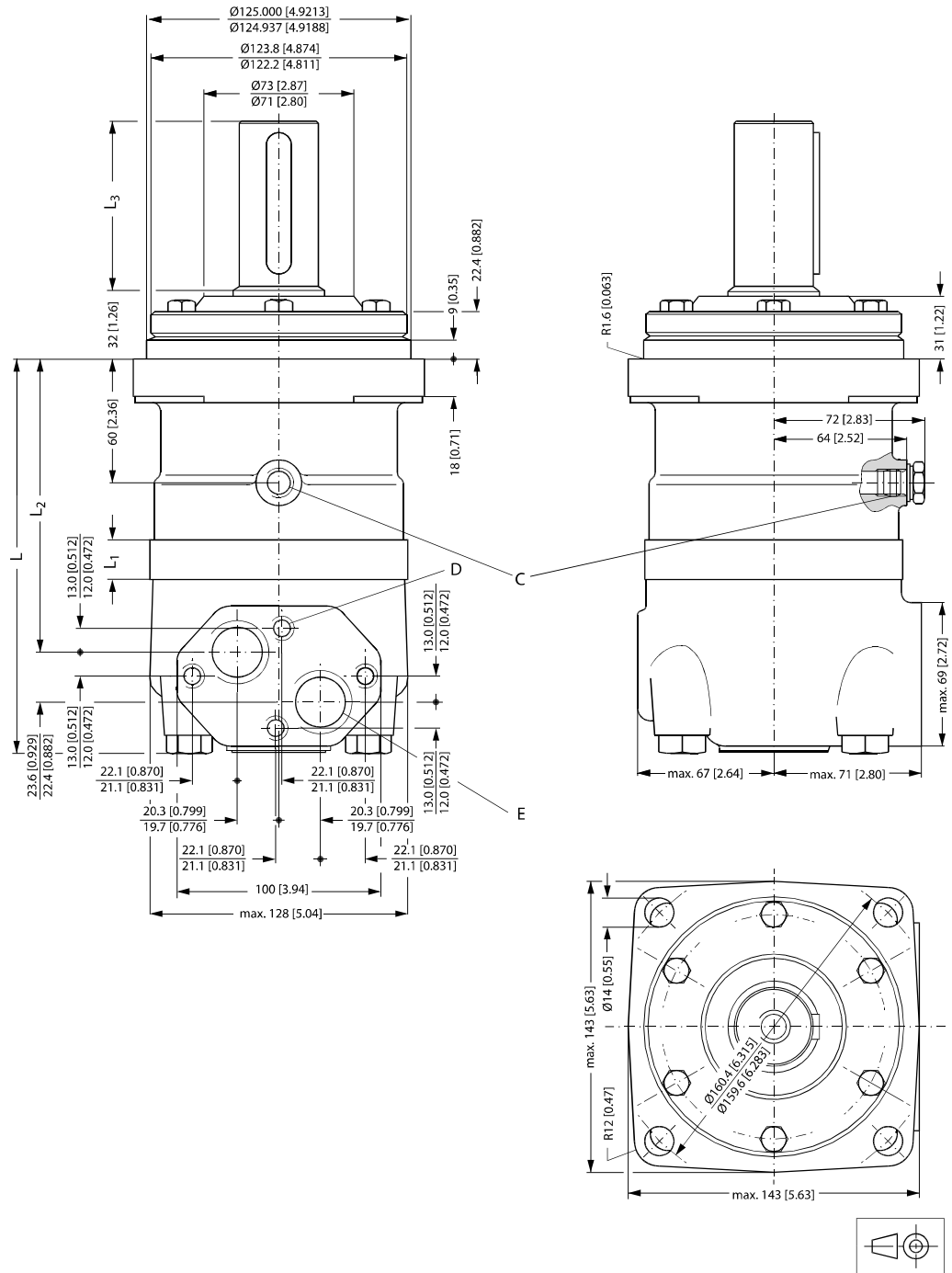


**OMT**

**Dimensions**

**OMT standard flange - European version**



- C:** Drain connection, G 1/4; 12 mm [0.47 in] deep
- D:** M10; 10 mm [0.39 in] deep
- E:** G 3/4; 17 mm [0.67 in] deep