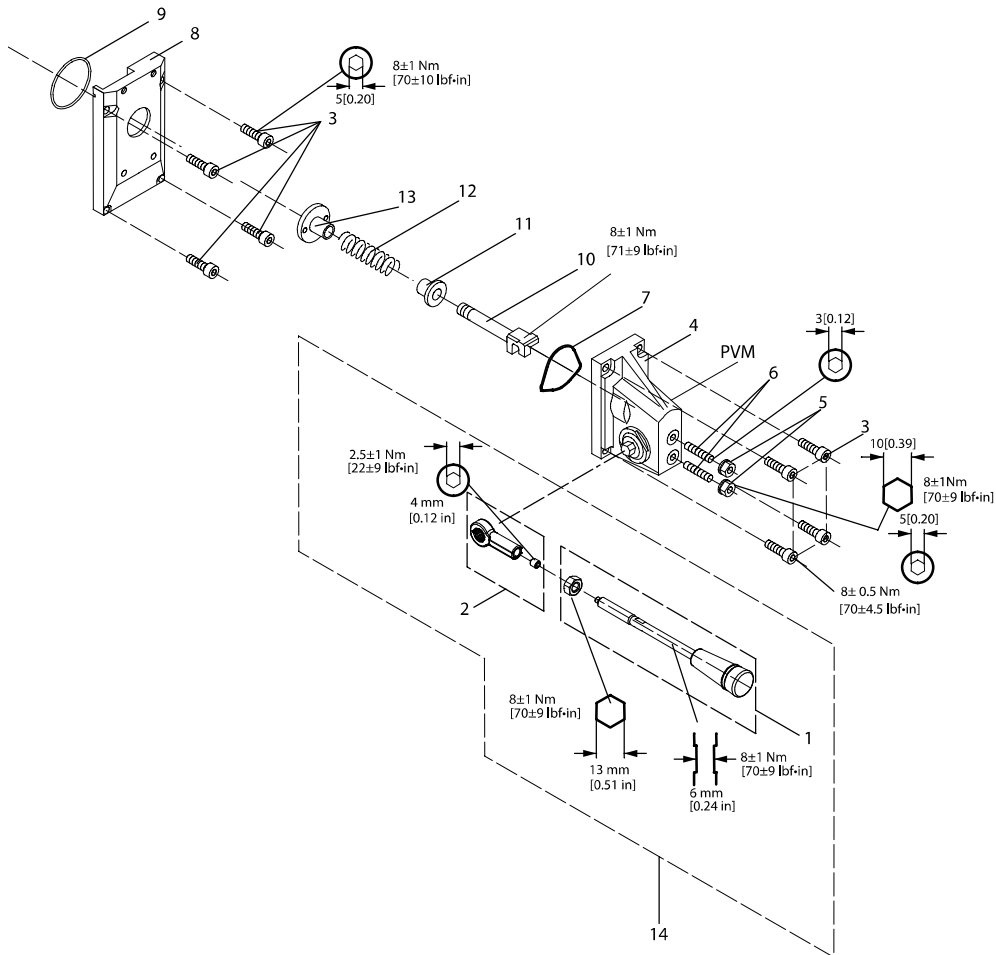


PVM

PVM, Mechanical Activating Module



V310171.A

PVM

Type		Code No.
PVM with PVMD or PVE	22.5° / 37.5°	155G3040
PVM with PVH	22.5° / 37.5°	155G3050

Item	Description	Code No.		
1	Handle, black knob, including nut		1	1
2	Base, including set screw	22.5° / 37.5°	1	1
3	Screw M6 · 20 [0.24 · 0.78 in]	681X9266	8	8
4	PVM housing	155L3431	1	1
5	Seal nut M6	681X8270	2	2
6	Threaded pin M6 · 25 [0.80 · 0.07 in]	681X0323	2	2
7*	Profile O-ring	155L3430	1	1
8	Intermediate plate	155G3301	1	1
9*	O-ring 42.0 · 2.0 [1.65 · 0.08 in]	633B1005	1	1
10	Spool control pin	155G3313	1	1
11	Stop	155G3314	1	1
12	Spring	155G3317		1
		155G3318	1	
13	Stop	155G3315	1	1

Spare Part, Kits Available

Item	Description	Code no.
14	Lever, with black knob handle and base	11046724
*	Set of seals	155G8518
	Lever, with red knob handle and base	11064640
1	Handle, black knob, including nut	11077262
2	Base, including set screw	11064641