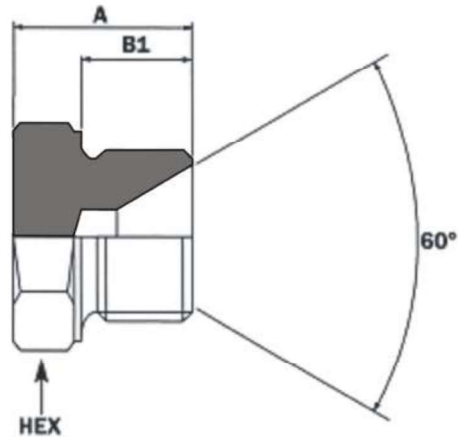


BSP BLANKING PLUGS TO DIN 3852 FORM A



PART NUMBER	DESCRIPTION	HEX	A	B1	B2	C1	C2	C3
4B/2	1/8 BSP	14.00	17.27	10.16				
4B/4	1/4 BSP	19.00	17.27	11.00				
4B/6	3/8 BSP	22.00	20.00	12.70				
4B/8	1/2 BSP	27.00	26.00	15.24				
4B/10	5/8 BSP	30.00	27.00	16.00				
4B/12	3/4 BSP	32.00	28.80	17.00				
4B/16	1 BSP	41.00	32.30	19.05				
4B/20	1 1/4 BSP	50.00	33.90	20.32				
4B/24	1 1/2 BSP	55.00	38.60	22.86				
4B/32	2 BSP	70.00	45.10	26.00				
4B/40	2 1/2 BSP	82.55	48.00	28.00				
4B/48	3 BSP	100.00	48.00	28.00				

Further information on other sizes is available on request and all dimensions are in millimetres