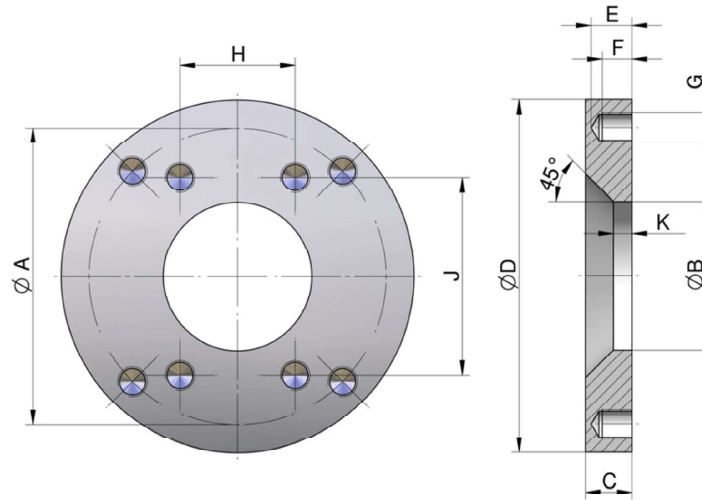


# Adapter Flange

DN 40 – DN 125

The **asa** suction unit is screwed to the **asa** adapter flange, which is welded to the tank. Due to low installation costs and compact design, purchasing **asa** suction units is cost effective. A switch (mechanical or inductive) can be mounted on the standard block for monitoring matters. The adapter flange may only be welded with demounted butterfly flange.



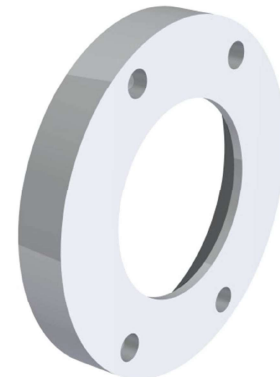
description	order number	A	B	C	D	E	F	G	H	J	K	weight
		[mm]	[mm]	[mm]	[mm]	[mm]	[mm]	[mm]	[mm]	[mm]	[mm]	[kg]
adapter 40	SDAET040K	110	49	25	130	22	14	M12 (4x)	--	--	5	1,85
adapter 50 & 63	SDAET063K	125	63	25	150	22	14	M12 (4x)	--	--	5	2,45
adapter 80	SDAET080K	--	80	25	150	22	16	M16 (4x)	62	106	10	2,14
<b>adapter 100</b>	<b>SDAET100K</b>	<b>--</b>	<b>100</b>	<b>25</b>	<b>180</b>	<b>22</b>	<b>16</b>	<b>M16 (4x)</b>	<b>77,8</b>	<b>130</b>	<b>5</b>	<b>2,80</b>
adapter 125	SDAET125K	--	125	25	205	22	16	M16 (4x)	92	152	5	3,30

## Material

flange material	steel ST 37 (1.0037)
-----------------	----------------------

## Fits On

SDAET040K	SDA0040, SDA00040W
SDAET063K	SDA0050, SDA0063, SDA00050W, SDA00063W
SDAET080K	SDA0080, SDA00080W
SDAET100K	SDA0100, SDA00100W
SDAET125K	SDA0125, SDA00125W



This data sheet shows a technical overview of our products. Please contact us if more exact information is needed. As we are constantly improving our products, their characteristics, dimensions and weights may also change, although we do our best to incorporate these changes continually. The information in this data sheet is intended to be used as a first general guideline only, asa assumes no liability for any information therein, any errors, omissions, misprints, nor any direct or indirect damages, losses or costs resulting therefrom. The cooling performance and the general technical values indicated in this catalogue are measured at a test bench according to asa testing procedures. Because there is no standardized testing procedure, tests used by other manufacturers could have different results. Due to different conditions in testing and application environments the cooling performance may also vary by +/- 15%. Therefore we recommend all coolers to be checked under the system operating conditions. This is also true of vibrations and mechanical stress as well as for pressure peaks and thermal stress and any other relevant factors.